



# **2018 Northwest Junior Olympics**

Hosted by Seattle Yacht Club

Aug 25-26, 2018

## **Sailing Instructions**

### **1 RULES**

- 1.1 This regatta will be governed by the rules as defined in the Racing Rules of Sailing (RRS), the prescriptions of US Sailing, class rules of participating one-design classes, the Notice of Race, and these Sailing Instructions.
- 1.2 RRS 44.1 is changed so that the Two-Turns Penalty is replaced by the One-Turn Penalty.

### **2 NOTICE TO COMPETITORS**

- 2.1 Notices to competitors will be posted on the Official Notice Board near the front door of the Corinthian Yacht Club (CYC).
- 2.2 There will be a **Mandatory Competitor's Meeting at 1030 on Saturday August 25** in the CYC Clubhouse.

### **3 CHANGES TO SAILING INSTRUCTIONS**

- 3.1 Any change to the sailing instructions will be posted before 0900 hours on the day it will take effect, except that any change in the schedule of races will be posted by 1900 hours on the day before it will take effect.

### **4 SIGNALS MADE ASHORE**

- 4.1 Signals will be displayed from the Race Committee boat moored near the CYC clubhouse, or from the upper deck of the CYC Clubhouse.

### **5 SCHEDULE OF RACES**

- 5.1 Dates of racing are Saturday Aug 25, 2018 and Sunday Aug 26, 2018.
- 5.2 Multiple races may be sailed each day.
- 5.3 The scheduled time of the first warning signal for each day is as follows:

<u>Day</u>	<u>Time</u>
Saturday	1200
Sunday	1100

- 5.4 No warning signal will be made after the following times for each day:

<u>Day</u>	<u>Time</u>
Saturday	1900 (7:00pm)
Sunday	1500 (3:00pm)

### **6 RACING AREA AND COMMITTEE BOAT**

- 6.1 The racing area will be on Puget Sound near Meadow Point and the Shilshole Bay Marina.
- 6.2 The Race Committee boat will be the Seattle Yacht Club M/V Portage Bay.  
If necessary, an alternate committee boat may be used.

### **7 CLASSES AND CLASS FLAGS**

- 7.1 The class flags will be the Class Logo on a flag. Classes without a Class Logo flag may be given an alternative flag consisting of a numeral pennant burgee. These will be posted on the Notice Board by 1030 on Saturday if necessary.

### **8 COURSES**

- 8.1 Courses for each fleet will be signaled from a reader board on the Race Committee boat. Courses may change between class starts prior to each warning signal.

- 8.2 All rounding marks shall be left to port.
- 8.3 After completing the first leg of the course, a boat shall not cross the finishing line unless she is finishing. A boat that fails to observe this restriction may exonerate by taking a One-Turn Penalty as described in RRS 44.2 and amended by Sailing Instruction 1.2. This changes RRS 28.1. A boat that fails to exonerate herself will be scored DNF without a hearing. This changes RRS 63.1 and Appendix A5.
- 8.4 The course configurations will be as shown as in "Addendum A: Course Illustration"

## 9 MARKS

- 9.1 All marks shall be temporary inflatable buoys.

<u>Letter</u>	<u>Description</u>
"S"	Green start mark near the race committee boat
"1"	Green mark to windward of race committee boat
"1a"	Yellow mark to windward of race committee boat (Optimist Windward Mark)
"2"	Green gybe mark
"3"	Green mark located to leeward of the race committee boat.
"3a"	Yellow mark to leeward of race committee boat (Optimist Leeward Mark)
"F"	Red finish mark near the race committee boat, on the opposite side from "S".

## 10 DESIGNATED OBSTRUCTIONS

- 10.1 The finishing line is an obstruction except for boats that are starting or finishing.

## 11 THE START

- 11.1 Races will be started using RRS 26.

<u>Minutes before Starting Signal</u>	<u>Signal</u>	<u>Flag and Sound</u>
5 Minutes	Warning	<b>Class Flag Up</b> ; 1 sound
4 Minutes	Preparatory	<b>Preparatory Flag Up</b> , 1 sound
1 Minute	One Minute	<b>Preparatory Flag Down</b> , 1 sound
Start	Starting	<b>Class Flag Down</b> , 1 sound

- 11.2 The starting line will be between a staff displaying an Orange Flag on the race committee boat and mark "S".
- 11.3 Boats whose warning signal has not been made shall keep clear of the starting area, the finish area, and all boats that are racing.
- 11.4 The race committee may attempt to hail boats OCS. The hail, lack of a hail, or failure to hear a hail will not be grounds for redress.

## 12 THE FINISH

- 12.1 The finishing line will be between a staff displaying a solid Blue Flag on the Race Committee boat and mark "F".

## 13 TIME LIMIT

- 13.1 The time limit for each race is 90 minutes. Boats that do not finish within the time limit will be scored DNF without a hearing. This changes RRS 35, 63.1, A4, and A5. If no boat finishes within the time limit, the race will be abandoned.
- 13.2 Boats failing to finish within 20 minutes after the first boat sails the course and finishes may be scored DNF without a hearing. This changes RRS 35. A4 and A5.

## 14 PROTESTS

- 14.1 The time of the protest time limit will be posted on the official notice board after the docking of the race committee signal boat. The protest time limit is 45 minutes after the docking of the race committee signal boat or 15 minutes after the posting of the time of the time limit, whichever is greater.
- 14.2 Written protests shall be delivered to a representative of the protest committee located in the CYC Clubhouse.
- 14.3 Hearing notices will be posted on the notice board to inform parties to a hearing of the time and place of the hearing. Hearings may commence at any time if parties are present and prepared; otherwise hearings may be scheduled as early as 15 minutes after the protest time limit. The posting of hearing notices shall be considered notice as required by RRS 63.2.

## 15 SCORING

- 15.1 Races will be scored using RRS Appendix A4 Low Point System.
- 15.2 A boat's series score will be the total of her race scores, except that a boat's worst score will be excluded if five or more races are completed in the series. This changes RRS Appendix A2.

- 15.3 A boat that did not start (DNC, DNS, OCS), did not finish (DNF), retired after finishing (RAF), or is disqualified (DSQ, DNE, DGM, BFD, TLE) will be scored the number of finishers plus one. This changes RRS Appendix A4.2 and A9.
- 15.4 One race will constitute a series.

## **16 SAFETY REGULATIONS AND CONSIDERATIONS**

- 16.1 Boats shall check in with the Race Committee Boat at the starting area each day before racing.
- 16.2 The Race Committee will use VHF Channel 72 to update coaches and spectators as to their intentions. The race committee may provide unofficial communication at any time by hail or over VHF 72. Any communication not defined by the rules is unofficial communication. A request for redress may not be based on any aspect of unofficial communication, including content, timeliness, existence, or failure to hear. This changes RRS 62.1(a).
- 16.3 Boats that retire from a race or before the racing for the day is over shall notify the race committee or a regatta official ashore as soon as possible. The Race Committee boat may be reached via VHF 72 or on the boat mobile at 206.376.2925.
- 16.4 Competitors are required to wear Coast Guard certified personal flotation devices while on the water. This amends RRS 40.
- 16.5 All boats must comply with one-design class safety rules and Coast Guard regulations.
- 16.6 Disclaimer of Liability. Competitors participate in the regatta entirely at their own risk. See RRS 4, Decision to Race. The organizing authority will not accept any liability for material damage or personal injury or death sustained in conjunction with or prior to, during, or after the regatta.

## 17 Courses

Courses will be designated from the following list.

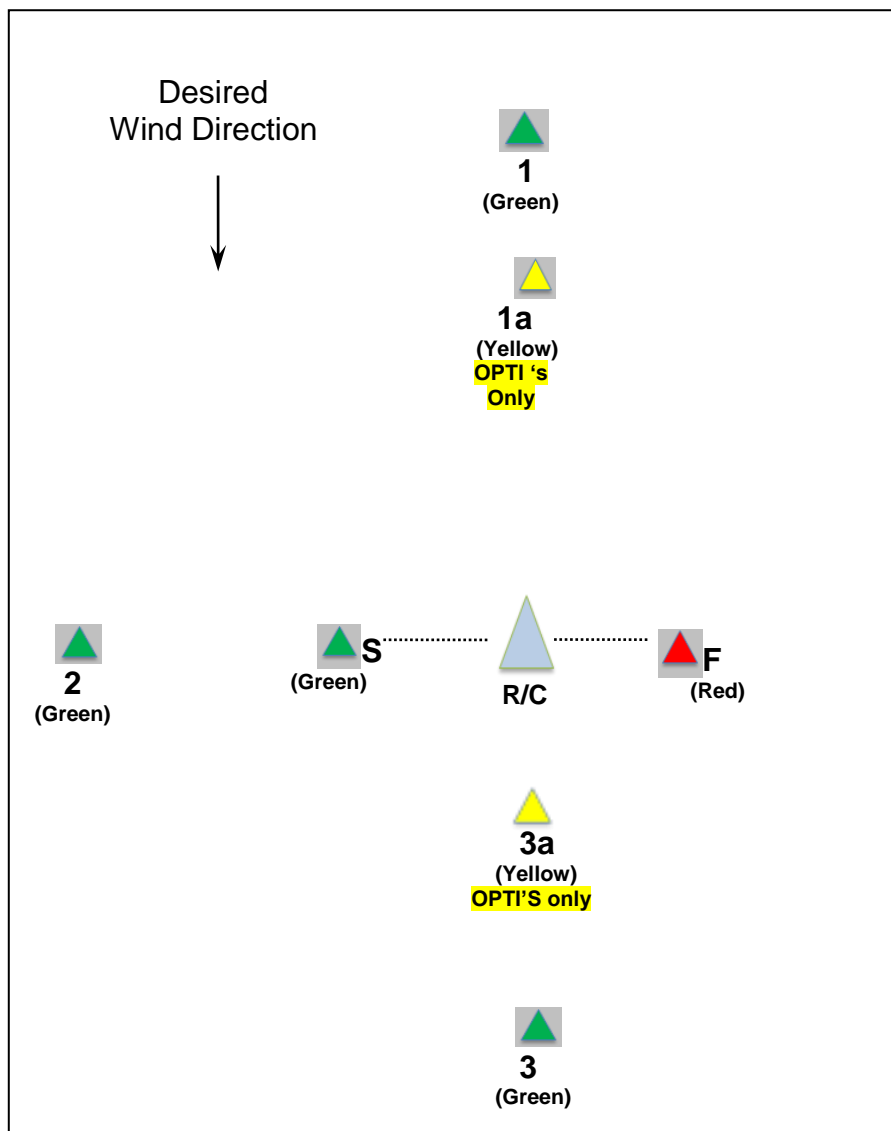
- Course 1 (Start, 1, 3, Finish)
- Course 2 (Start, 1, 2, 3, Finish)
- Course 3 (Start, 1, 3, 1, 3, Finish)
- Course 4 (Start, 1, 2, 3, 1, 3, Finish)

### **Opti only**

- Course 1 (Start, 1a, 3a, Finish)
- Course 2 (Start, 1a, 2, 3a, Finish)
- Course 3 (Start, 1a, 3a, 1a, 3a, Finish)
- Course 4 (Start, 1a, 2, 3a, 1a, 3a, Finish)

## Addendum A: Course Illustration

The following diagram depicts the general orientation of the marks (identified by S, 1, 1a (Opti), 2, 3, 3a(Opti), and F), the race committee boat ("R/C"), and the wind. The diagram is not drawn to scale and the positions are approximate.



(Not to Scale)